

ARCHIBALD 492316

PENDANTS

PROJECT



492316-BK/GD
Black with Gold
detail



492316-BN/BK
Brushed Nickel with
Black detail



492316-WH/GD
White with Gold
detail

SPECIFICATION DETAILS

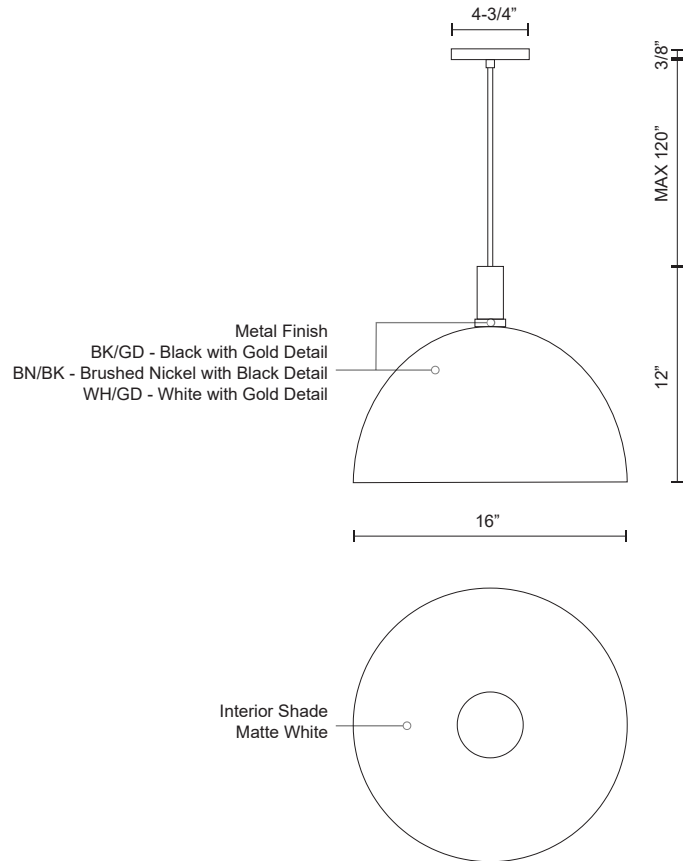
| | |
|---------------------------------|---|
| Fixture Dimensions | D16" x H12" |
| Lamp Type | Incandescent, Medium Base |
| Wattage | 1 x 60W |
| Voltage | 120V |
| Shade Details | Spun Aluminum Shade |
| Adjustable | Yes |
| Wire Length | 120" Max |
| Wire Type | BK, BN - Black Braided Cord; WH - White Braided Cord; |
| Sloped Ceiling Adaptable | Yes |
| Location | Dry |
| Bulbs Included | No |
| Canopy Dimensions | D4-3/4" x H3/8" |

* For custom options, consult factory for details.

* For warranty information, please visit www.kuzcolighting.com/warranty

DESCRIPTION

Single-lamp pendant with aluminum dome shade showcasing powder-coated or plated finishes with metal details and a matte white interior. Exterior shade colors are black, brushed nickel, or white. Suspended by cloth cable. Available in three sizes.



KUZCO

19054 28TH AVENUE
SURREY - BC V3Z 6M3
CANADA

WWW.KUZCOLIGHTING.COM

© 2019 KUZCO LIGHTING. ALL RIGHTS RESERVED.

COMMENT

